



服务热线: 400-600-6180



官方网站

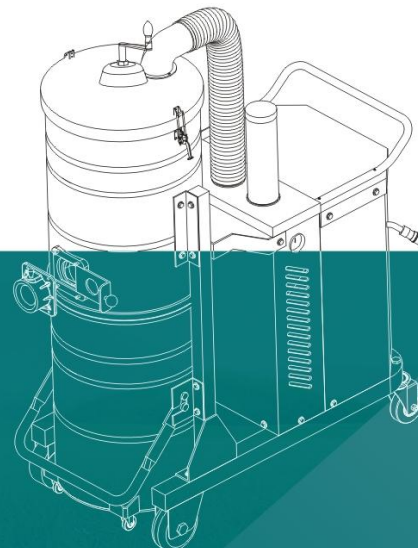


阿里巴巴网站



制造商: 上海全风实业有限公司
 电话: 0086-021-33502971 33502951
 传真: 0086-021-33588692
 网址: www.shquanfeng.com
 地址: 上海市松江区九亭镇九新公路338号
 生产厂: 江苏全风环保科技有限公司
 电话: 0086-0510-81612026
 传真: 0086-0510-81612056
 网址: www.jsqfky.cn
 地址: 江苏省无锡市青阳工业园润阳路8号
 华东区: 上海与鑫机电科技有限公司
 电话: 0086-021-33502971 33502951
 传真: 0086-021-33588692
 网址: www.twyxsh.com
 华北区: 北京全风机电设备有限公司
 电话: 0086-010-59406010 59496011
 传真: 0086-010-87660057
 网址: www.bjtwyx.com

Manufacturer: Shanghai Quanfeng Industry Co., Ltd.
 TEL: 0086-021-33502971 33502951
 FAX: 0086-021-33588692
 ADDR: No.103, no.338, qiujiang road, jiating town, songjiang district, Shanghai, China
 Manufacturing plant: Jiangsu Quanfeng environmental protection technology Co., Ltd.
 TEL: 0086-0510-81612026
 FAX: 0086-0510-81612056
 ADDR: No.8.runyang road.qingyang industrialpark,wuxi city,JS,China
 East China: Shanghai Yuxin Electrical and Mechanical Technology Co., Ltd.
 TEL: 0086-021-33502971 33502951
 FAX: 0086-021-33588692
 North China: Beijing Quanfeng Electromechanical Equipment Co., Ltd.
 TEL: 0086-010-59496010 59496011
 FAX: 0086-010-87660057



| 蜚誉全球 | 日丽风清 |

专业、高效、安全的工业清洁设备
Professional, efficient and safe industrial cleaning equipment

VACUUM CLEANER
PICTURE ALBUM
 工业吸尘器
 产品展示

江苏全风环保科技有限公司

JIANGSU QUANFENG ENVIRONMENTAL PROTECTION TECHNOLOGY CO.,LTD

ABOUT QUANFENG

关于全风

江苏全风环保科技有限公司是一家专业从事空气流体设备、环保设备（压缩、真空）生产及销售一体化的现代化企业，通过多年的发展，公司以高压风机，其它空气流体设备（真空泵和鼓风机），有着专业的设计研发团队，团队成员本着与时俱进的发展原则，在真空吸尘除尘领域，不断开拓创新。设计研发出一款款适用于工业领域的工业真空吸尘设备，解决了一系列工业除尘中所面临难题，使得原本繁琐缓慢的清洁除尘工作变得简单快捷。为客户解决了一系列难题。

在“以服务求生存，以质量求发展，诚信为本，实现共赢”的经营理念下。我们凭借专业的生产技术、一流的生产设备、先进的管理模式，竭诚为客户提供优质、高效、节能的全系列高压风机产品。为了实现了产品生产的标准化及一致性，我司引进配备了大批优尼斯（i5全智能数控机床）数控车削中心及大型加工中心、卧式动平衡机、自动喷漆流水线等高科技含量的生产及检测设备。为了与欧洲发达国家的产品接轨，我司所有系列产品均按照宽电压、宽频率的欧洲标准所设计。每年都有数以万计的产品出口到欧洲，美洲，澳洲，中东，东南亚等数十个国家，产品享誉全球。

为了尽可能的满足客户需求，我司可以根据客户要求，定制特殊规格（防腐、防爆、耐高温等）的高品质产品，以便为客户提供更好的服务。

好的产品，好的服务，好的信誉，江苏全风环保科技有限公司在燃料机、上料机、吹塑机以及污水处理等众多行业取得了辉煌成绩，完成众多大型环保设备的配套服务，也愿意成为您最可信赖的长期合作伙伴。

Jiangsu full wind environmental protection technology co., LTD is a professional engaged in air fluid equipment, environmental equipment (compression, vacuum) production and sales integration of modern enterprises, after years of development, the company with high pressure fan, other air fluid equipment (vacuum pump and fan), has a professional design team, the team members in line with the principle of advancing with The Times development, in the field of vacuum cleaning dust, constantly blaze new trails. The design and development of an industrial vacuum dedusting equipment applicable to the industrial field solved a series of industrial dedusting problems, making the tedious and slow cleaning and dedusting work easier and faster. Solved a series of difficult problems for customers.

Under the business philosophy of "service for survival, quality for development, integrity for the sake of achieving win-win". Relying on professional production technology, first-class production equipment and advanced management mode, we are dedicated to providing customers with high-quality, efficient and energy-saving products of the whole series of high pressure fans. In order to achieve the standardization and consistency of product production, our company has introduced a large number of production and testing equipment with high technology content, such as the numerical control turning center and large-scale processing center, horizontal dynamic balancing machine, automatic baking line and so on. All our products are designed according to the European standard of wide voltage and frequency. Every year, tens of thousands of products are exported to dozens of countries such as Europe, America, Australia, Middle East, southeast Asia and so on.

In order to meet customer requirements as much as possible, our company can customize high-quality products with special specifications (anti-corrosion, explosion-proof, high-temperature resistance, etc.) according to customer requirements, so as to provide better service for customers.

Good products, good service and good reputation, jiangsu quanfeng environmental protection technology co., ltd. has made brilliant achievements in many industries such as fuel machine, feeding machine, blow molding machine and sewage treatment, completing the supporting services of numerous large environmental protection equipment, and is willing to become your most reliable long-term partner.



CORPORATE CULTURE

企业文化

经营理念 MANAGEMENT IDEA

以质量求生存，以创新求发展， 诚信为本，实现共赢

To the quality of survival, innovation and development, honesty, and achieve win-win situation

质量方针 QUALITY POLICY

以精立业， 以质取胜， 客户满意是企业永恒的追求

With the essence of enterprise, quality, customer satisfaction is the eternal pursuit of enterprises

公司宗旨 COMPANY TENET

以人才和技术为基础，创造最佳产品和服务

Create the best products and services on the basis of talent and technology

企业精神 ENTERPRISE SPIRIT

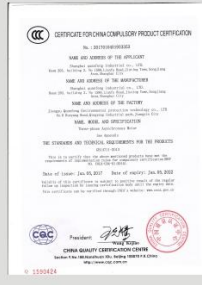
团结、 创新、 诚信、 共赢

Unity, innovation, honesty and win-win



QUALIFICATION CERTIFICATE

资质证书



PRODUCTION EQUIPMENT

生产设备

精 / 良装备
SUPERIOR EQUIPMENT



数控旋压机 CNC spinning machine



自动压铆机 Automatic riveter



大族激光切割机 Dazhu Laser cutter



大族激光切割机 Dazhu Laser cutter



意大利esa数控系统折弯机 CNC bending machine



大族激光切割机 Dazhu Laser cutter

全风从产品设计、零件加工到整机装配、性能测试，每一台设备的下线，无不得益于全风技术与经验的积累，得益于全风员工精湛的技艺。也是全风在设备，基础设施和人员方面空前投入的结晶。

From product design, parts processing to whole machine assembly, performance testing, each equipment offline, all benefit from the accumulation of quanfeng technology and experience, benefit from the excellent skills of quanfeng employees. It is also the result of unprecedented investment in equipment, infrastructure and personnel.

PRODUCTION EQUIPMENT

生产设备



MCJC Industrial pulse dust collector

MCJC 工业脉冲集尘机



服务热线: 400-600-6180

使用场所

五金、机械、汽车、电子、
食品、化工、医药等行业除
尘设备配套使用



产品简介 / Product introduction

MC系列脉冲集尘机是我公司生产的实用新型专利产品，具有结构简单、修理养护方便、移动操作灵活、工作稳定可靠等显著性能优点，是一款性价比高、外观大气的理想环保设备。坚持安全、经济、适用，并兼顾美观的精心设计原则选择工艺先进成熟、系统稳定安全可靠、管理方便、无二次污染的治理技术；对设备、仪表等选型本着可靠、经济、适用的原则。

MC Series Pulse Dust Collector is a new type of patent product produced by our company. It has the advantages of simple structure, convenient repair and maintenance, flexible operation, stable and reliable operation. It is an ideal environmental protection equipment with high cost performance and atmospheric appearance. Adhering to the principles of safety, economy and application, and taking into account the beauty of the fine design, we should select advanced and mature technology, stable and reliable system, convenient management, and no secondary pollution treatment technology; selecting equipment, instruments and other types in accordance with the principles of reliability, economy and application.

技术参数 / Technical parameters

型号	MCJC-1500	MCJC-2200	MCJC-4000	MCJC-5500	MCJC-7500	MCJC-11	MCJC-15
电源(V/Hz)	380/50	380/50	380/50	380/50	380/50	380/50	380/50
功率(Kw)	1.5	2.2	4.0	5.5	7.5	11	15
处理风量(m ³ /h)	1200	1800	1800/2500	3100	3800	4800	6000
风压(Pa)	2000	2500	2500/3800	4000	4000	5000	5400
过滤筒数量(个)	2	2	2/4	4	4	4	4
过滤面积(m ²)	10	10	10/20	20	20	20	20
过滤精度(μm)	0.3-1	0.3-1	0.3-1	0.3-1	0.3-1	0.3-1	0.3-1
过滤效率	99%	99%	99%	99%	99%	99%	99%
过滤材质	聚酯纤维 PTFE 覆膜	聚酯纤维 PTFE 覆膜	聚酯纤维 PTFE 覆膜	聚酯纤维 PTFE 覆膜	聚酯纤维 PTFE 覆膜	聚酯纤维 PTFE 覆膜	聚酯纤维 PTFE 覆膜
压缩空气压力(Mpa)	0.4-0.6	0.4-0.6	0.4-0.6	0.4-0.6	0.4-0.6	0.4-0.6	0.4-0.6
压缩空气气缸(L/个)	8	8	8	15	15	15	15
集成箱容量(L)	80	80	80/120	120	120	200	200
噪音等级(dB)	60±2	65±2	70±2	75±2	78±2	80	80
过滤方式	负压外滤式	负压外滤式	负压外滤式	负压外滤式	负压外滤式	负压外滤式	负压外滤式
清灰方式	脉冲反吹+抽屜集尘	脉冲反吹+抽屜集尘	脉冲反吹+抽屜集尘	脉冲反吹+抽屜集尘	脉冲反吹+抽屜集尘	脉冲反吹+抽屜集尘	脉冲反吹+抽屜集尘
进风口口径(mm)	φ100-150	φ100-150	φ125	φ150/φ200	φ150	φ200*2	φ200*2
排风口口径(mm)	φ100	φ125	φ125	φ150	φ150	φ200	φ200
外形尺寸(mm)	600×630×1580	600×630×1580	600×630×1580 800×830×2030	800×830×2030	800×830×2030	1000×1030×2080	1000×1030×2080
航空插头(m)	4(4芯)	4(4芯)	4(4芯)	4(4芯)	4(4芯)	4(4芯)	4(4芯)
重量(kg)	180	240	260	300	320	480	500
可移动性	工业万向脚轮(带刹车)			工业万向脚轮(带刹车),带叉车底角			
防护等级	IP55	IP55	IP55	IP55	IP55	IP55	IP55
机器外观喷漆	碳钢2.0喷塑涂装 桔纹白						

TWYX 工业脉冲集尘机



MCJC Industrial pulse dust collector

MCJC 工业脉冲集尘机



服务热线: 400-600-6180



TWYX 工业脉冲集尘机



尺寸规格 / The dimensions

型号	MCJC-1500	MCJC-2200	MCJC-4000	MCJC-5500	MCJC-7500	MCJC-11	MCJC-15
外形尺寸 (mm)	600×630×1580	600×630×1580	600×630×1580 800×830×1880	800×830×1880	800×830×1880	1000×1030×1980	1000×1030×1980

技术参数 / Technical parameters



● 动力采用，透浦式鼓风机，铝合金机身、吸力大噪音低无振动。

- Power use, transparent blower, aluminum body, suction noise low vibration.



● 脉冲反吹清灰系统，滤芯可通过清理重复使用，喷吹法多角度喷吹，清灰更彻底。

- In the pulsed back blowing system, the filter core can be reused through cleaning and repeated use.



● 过滤采用进口PTFE覆膜聚酯滤料，过滤效率达99%，表面光滑，易于反吹，配快速法兰接头，更换快捷。

- The filter is made of imported PTFE coated polyester filter material, which has a filtration efficiency of 99%.



● 智能控制，可根据使用情况设定自动反吹清灰。

- Intelligent control, can be set according to the use of automatic reverse blowing.



● 预留LO接口，可与自动化设备联机进行远程操作。

- Reserve LO interfaces for remote operation online with automated devices.



● 缺相保护，超远距离遥控控制，大功率负载。

- Lack of phase protection, super remote control, high power load.

MCJC Industrial pulse dust collector

MCJC 工业脉冲集尘机



服务热线: 400-600-6180



MCJC-1500 MCJC-2200 MCJC-4000

使用场所

五金、机械、汽车、电子、
食品、化工、医药等行业除
尘设备配套使用



技术参数 / Technical parameters

2、设计原则

A	B	C	D
坚持安全、经济、 适用，并兼顾美观 的精心设计原则；	选择工艺先进成熟、 系统稳定安全可靠、 管理方便、无二次 污染的治理技术；	对设备、仪表等选 型本着可靠、经济、 适用的原则。	外观设计专利 实用新型专利 发明专利证书



JC industrial dust collector

JC 工业布袋集尘机



服务热线: 400-600-6180



TWYX 工业布袋集尘机



使用场所

五金、机械、汽车、航空、
电子、食品、化工、医药等
各行业除尘、回收。

产品简介 / Product introduction

本系列产品主机采用透浦式中压风机、高压风机，具有结构简单、能耗低、噪音少、运作稳定、过滤效率高、清灰效果高、占用空间小、拆卸灰斗方便快捷、使用年限长、维护容易、移动操作灵活、工作稳定等显著性能优点，而且造价相当低廉，是理想的环保设备。

This series product host the transparent pu type medium pressure and high pressure fan, has simple structure, low energy consumption, less noise and stable operation, high filtration efficiency and effect, take up the space is little, convenient remove ash hopper, long service life, easy maintenance, mobile and other significant performance advantages of flexible operation, stable work, and relatively low cost, is the ideal environmental protection equipment.

技术参数 / Technical parameters



● 动力采用，透浦式鼓风机，铝合金机身、吸力大噪音低无振动。

- Power use, transparent blower, aluminum body, suction noise low vibration.



● 气缸式震动清灰系统，更换滤袋快捷方便。

- Cylinder vibration cleaning system, easy to replace filter bag.



● 采用智能控制时间可调，清灰处理系统自动震动除尘。

- The intelligent control time can be adjusted and the ash cleaning system can automatically vibrate and remove dust.



● 机械式压差表及控制面板。

- Intelligent control, can be set according to the use of automatic reverse blowing.



● 大功率电源总开关。

- Reserve LO interfaces for remote operation online with automated devices.



● 缺相保护，超远距离遥控控制，大功率负载。

- Lack of phase protection, super remote control, high power load.

JC industrial dust collector

JC 工业布袋集尘机



服务热线: 400-600-6180



TWYX 工业布袋集尘机



产品简介 / Product introduction

集尘机含尘气体在中压风机的离心力作用下进入除尘器匀流室，进入匀流室后由于气流断面突然扩大及气流分布板作用，气流中一部分粗大颗粒在动和惯性力作用下直接沉降到底斗；粒度细、密度小的尘粒进入各滤尘室后，通过布朗扩散和筛滤等组合效应，使粉尘沉降在滤芯表面上，净化后的气体进入净气室由排风管经风机排出。设备的阻力随着滤袋表面粉尘层厚度的增加而增大。阻力达到某一设定值时进行清灰。此时打开集尘器压缩空气开关以极短的时间通过压缩气缸，并在逆向气流冲刷的作用下，使气缸板产生上下振动，使附着在滤袋外表面上的粉尘被剥离落入灰斗中。

The dust containing gas of the dust collector enters the dust collector's uniform flow chamber under the action of the centrifugal force of the medium-pressure fan. After the fine particle size and small density enters each filter chamber, the dust precipitates on the surface of the filter core through combined effects such as brown diffusion and screen filtration, and the purified gas enters the clean air chamber and is discharged by the exhaust pipe through the fan. The resistance of the equipment increases with the increase of the thickness of the dust layer on the surface of the filter bag. Remove dust when resistance reaches a set value. At this time, open the dust collector compressed air switch to pass through the cylinder in a very short time, and under the action of reverse airflow scour, make the cylinder plate vibrate up and down, so that the dust attached on the outer surface of the filter bag is stripped and dropped into the ash hopper.

型号	JC-750-1	JC-1500-1	JC-1500L	JC-2200	JC-4000	JC-5500	JC-7500	JC-11	JC-15
电源(V/Hz)	220/380/50	220/380/50	380/50	380/50	380/50	380/50	380/50	380/50	380/50
功率(Kw)	0.75	1.5	1.5	2.2	4.0	5.5	7.5	11	15
处理风量(m³/h)	960	1200	1800	1800	1800/2500	3100	3800	4800	6000
风压(Pa)	1900	2000	2000	2500	2500/3800	4000	4000	5000	5400
过滤筒数量(个)	2	2	2	2	2/4	4	4	4	4
过滤面积(m²)	10	10	10	10	10/20	20	20	20	20
过滤精度(μm)	0.3-1	0.3-1	0.3-1	0.3-1	0.3-1	0.3-1	0.3-1	0.3-1	0.3-1
过滤效率	99%	99%	99%	99%	99%	99%	99%	99%	99%
过滤材质	过滤袋集尘	过滤袋集尘	过滤袋集尘	过滤袋集尘	过滤袋集尘	过滤袋集尘	过滤袋集尘	过滤袋集尘	过滤袋集尘
集成箱容量(L)	35	80	80	80	80/120	120	120	200	200
噪音等级(dB)	60±2	60±2	60±2	65±2	70±2	75±2	78±2	80	80
过滤方式	负压外滤式 气缸式振动除尘 (选配)	负压外滤式 气缸式振动除尘 (选配)	负压外滤式 气缸式振动除尘 (选配)	负压外滤式 气缸式振动除尘 (选配)	负压外滤式 气缸式振动除尘 (选配)	负压外滤式 气缸式振动除尘 (选配)	负压外滤式 气缸式振动除尘 (选配)	负压外滤式 气缸式振动除尘 (选配)	负压外滤式 气缸式振动除尘 (选配)
清灰方式	φ100 (选配)	φ100 (选配)	φ100-150 (选配)	φ100-150 (选配)	φ125-150 (选配)	φ150/φ200 (选配)	φ150 (选配)	φ200*2 (选配)	φ200*2 (选配)
进风口口径(mm)	φ100	φ100	φ100	φ125	φ125	φ150	φ150	φ200	φ200
排风口口径(mm)	φ100	φ100	φ100	φ125	φ125	φ150	φ150	φ200	φ200
外形尺寸(mm)	500×530 ×1055	600×630×1580 700×730×1580	600×630×1580 700×730×1580	600×630×1580 700×730×1580	600×630×1580 700×730×1580 800×830×2030	800×830 ×2030	800×830 ×2030	1000×1030 ×2080	1000×1030 ×2080
航空空插头(m)	4(4芯)	4(4芯)	4(4芯)	4(4芯)	4(4芯)	4(4芯)	4(4芯)	4(4芯)	4(4芯)
重量(kg)	180	240	180	240	260	300	320	480	500
可移动性	工业万向脚轮(带刹车)								
防护等级	IP55	IP55	IP55	IP55	IP55	IP55	IP55	IP55	IP55
机器外观喷漆	碳钢2.0喷塑涂装 桔纹白								

SH heavy industrial mobile vacuum cleaner

SH 重型工业移动吸尘器



服务热线: 400-600-6180



TWYX 工业移动吸尘器

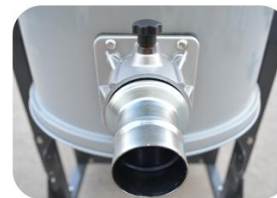
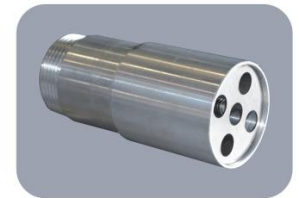
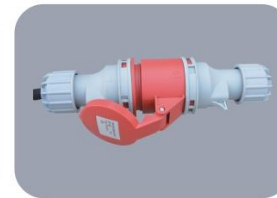
使用场所

五金、机械、汽车、电子、
食品、化工、医药等行业除
尘设备配套使用



技术参数 / Technical parameters

型号 Model	尘桶容量 Volume (L)	电压 Voltage (V)	功率 Power (KW)	吸力 Max. Vacuum (kpa)	风量 Airflow (m ³ /h)	噪音 Noise (dB)	重量 Weight (kg)	过滤面积 Filter area (m ²)	吸尘口径 Suction caliber (mm)	尺寸 Dimensions L×W×H(mm)
SH2200	100	220/380-480	2.2	21	320	69		3.0	φ50	1100×600×1500
SH3000	100	380-480	3.0	26	320	69		3.0	φ50	1100×600×1500
SH4000	100	380-480	4.0	26	420	73		3.0	φ50	1100×600×1500
SH5500	100	380-480	5.5	30	530	80		3.0	φ50	1100×600×1500
SH7500	100	380-480	7.5	32	530	80		3.0	φ50	1100×600×1500



SH heavy industrial mobile vacuum cleaner

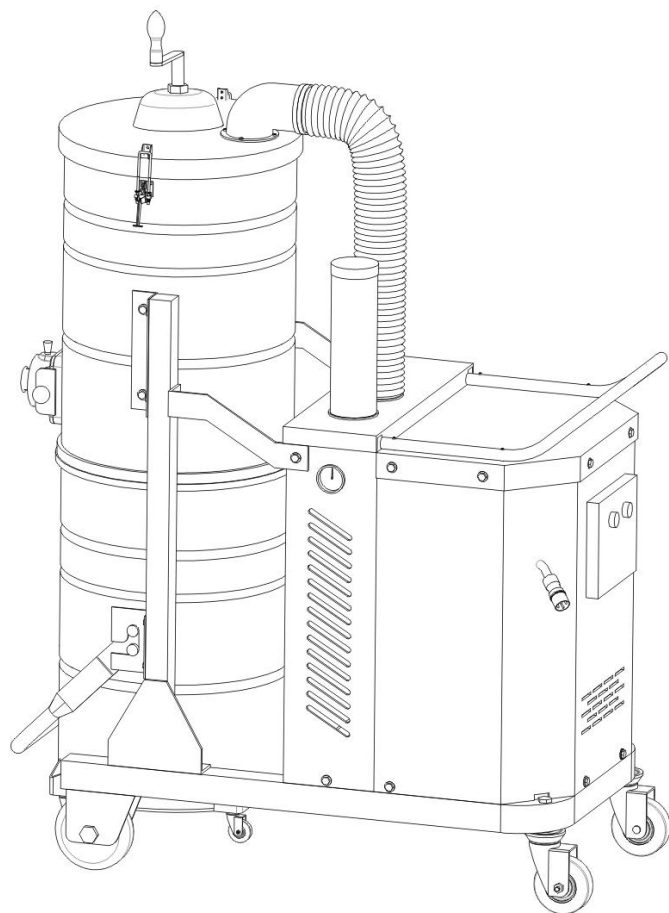
SH 重型工业移动吸尘器



服务热线: 400-600-6180



TWYX 工业移动吸尘器



产品简介 / Product introduction

SH系列是一种重型工业移动吸尘器, 功率从0.75~7.5kw, 广泛用于制药、化工、陶瓷、机械、食品等行业。

MC series industrial vacuum cleaner is a heavy industrial vacuum cleaner with power from 0.75~7.5kw, which is widely used in pharmaceutical, chemical, ceramic, machinery, food and other industries.

性能特点 / Performance characteristics

- ◆ 采用工业级旋涡气泵, 欧标电机50HZ 60HZ 双频设计;
 - ◆ 配有超大轮子, 便于机身移动;
 - ◆ 可以连续24小时工作;
 - ◆ 高精度覆膜过滤器, 过滤精度高达0.3微米;
 - ◆ 120L大容量, 更便捷的自卸分离桶;
 - ◆ 配有旋风分离器; 分离效率为97%;
 - ◆ 采用全自动脉冲反清灰装置;
 - ◆ 带有过载、过流、装置及远程启动系统;
- ◆ The European standard motor 50HZ 60HZ dual-frequency design is adopted in Europe. Is equipped with extra large wheels, easy to move the body;
 - ◆ Positive can work 24 hours in a row;
 - ◆ High precision coated filter with 0.3 micron filtering accuracy;
 - ◆ With large capacity of 120L, the self-discharging separating barrel is more convenient.
 - ◆ Plus cyclone separator;
 - ◆ The separation efficiency was 97%.
 - ◆ The full-automatic pulse back cleaning device is used in the high pressure area.
 - ◆ The tank is equipped with overload, overcurrent, device and remote start system;



手拨片除尘(SYBP)
Hand picking dust removal (SYBP)



自动脉冲反吹除尘(MCFC)
Automatic pulse back blow dusting (MCFC)



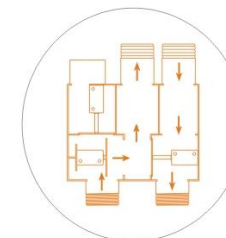
手压反吹除尘(SDFC)
Hand pressure reverse blowing dust removal (SDFC)



旋风分离除尘+超声波震动除尘(ZDCX)
Cyclone separation dust removal + ultrasonic vibration dedusting (ZDCX)



星形布袋除尘(BDCX)
Star bag dust removal (BDCX)



风泵自反吹装置除尘(ZFC)
Air pump self blowing device dust removal (ZFC)

DH industrial mobile vacuum cleaner

DH 工业移动吸尘器

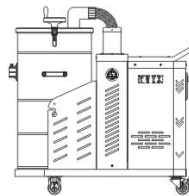


服务热线: 400-600-6180



使用场所

小型工厂车间、吸铁屑、打磨粉尘、冶金、煤矿、设备配套等



技术参数 / Technical parameters

型号 Model	尘桶容量 Volume (L)	电压 Voltage (V)	功率 Power (KW)	吸力 Max. Vacuum (kpa)	风量 Airflow (m ³ /h)	噪音 Noise (dB)	重量 Weight (kg)	过滤面积 Filter area (m ²)	吸尘口径 Suction caliber (mm)	尺寸 Dimensions L×W×H(mm)
DH1500	100	220/380-480	1.5	18	320	69		3.0	φ50	1060×465×1050
DH2200	100	220/380-480	2.2	21	320	69		3.0	φ50	1060×465×1050
DH3000	100	380-480	3.0	27	420	69		3.0	φ50	1060×465×1050
DH4000	100	380-480	4.0	29	420	69		3.0	φ50	1060×465×1050

产品简介 / Product introduction

DH系列是一种工业移动吸尘器，功率从1.5~4.0kw，广泛使用于小型工厂车间、吸铁屑、打磨粉尘、冶金、煤矿、设备配套等。

DH series is a kind of industrial vacuum cleaner with power ranging from 1.5 kW to 4.0 kw. It is widely used in small factory workshops, iron chips, grinding dust, metallurgy, coal mines, equipment matching and so on.

性能特点 / Performance characteristics

- 采用工业级旋涡气泵，欧标电机50HZ 60HZ 双频设计；
 - 配有超大轮子，便于机身移动；
 - 可以连续24小时工作；
 - 高精度覆膜过滤器，过滤精度高达0.3微米；
 - 100L大容量，更便捷的自卸分离桶；
 - 配有旋风分离器；分离效率为97%；
 - 采用全自动脉冲反吹清灰装置；
 - 带有过载、过流、装置及远程启动系统；
- The European standard motor 50HZ 60HZ dual-frequency design is adopted in Europe. Is equipped with extra large wheels, easy to move the body;
 - Positive can work 24 hours in a row;
 - High precision coated filter with 0.3 micron filtering accuracy;
 - With large capacity of 100L, the self-discharging separating barrel is more convenient.
 - Plus cyclone separator;
 - The separation efficiency was 97%.
 - The full-automatic pulse back cleaning device is used in the high pressure area.
 - The tank is equipped with overload, overcurrent, device and remote start system;



手摇拨片除尘(SYBP)
Hand picking dust removal (SYBP)



自动脉冲反吹除尘(MCFC)
Automatic pulse back blow dusting (MCFC)



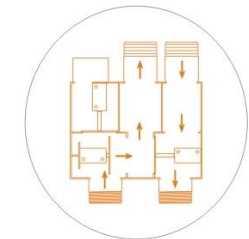
手压反吹除尘(SDFC)
Hand pressure reverse blowing dust removal (SDFC)



旋风分离除尘+超声波震动除尘(ZDCX)
Cyclone separation dust removal + ultrasonic vibration dedusting (ZDCX)



星形布袋除尘(BDCX)
Star bag dust removal (BDCX)



风泵自反吹装置除尘(ZFC)
Air pump self blowing device dust removal (ZFC)

DL industrial mobile vacuum cleaner

DL 工业移动吸尘器



服务热线: 400-600-6180



80L 工业移动吸尘器



30L 小型工业移动吸尘器



使用场所

小型工厂车间、吸铁屑、打磨粉尘、冶金、煤矿、设备配套等

产品简介 / Product introduction

DL系列是一种工业移动吸尘器，功率从0.75~4.0kw，广泛使用于小型工厂车间、吸铁屑、打磨粉尘、冶金、煤矿、设备配套等。

DL series is a kind of industrial vacuum cleaner with power ranging from 0.75 kW to 4.0 kw. It is widely used in small factory workshops, iron chips, grinding dust, metallurgy, coal mines, equipment matching and so on.

性能特点 / Performance characteristics

- 采用工业级旋涡气泵，欧标电机50HZ 60HZ 双频设计；
- 配有超大轮子，便于机身移动；
- 可以连续24小时工作；
- 高精度覆膜过滤器，过滤精度高达0.3微米；
- 100L大容量，更便捷的自卸分离桶；
- 配有旋风分离器；分离效率为97%；
- 采用全自动脉冲反清灰装置；
- 带有过载、过流、装置及远程启动系统；
- The European standard motor 50HZ 60HZ dual-frequency design is adopted in Europe. Is equipped with extra large wheels, easy to move the body;
- Positive can work 24 hours in a row;
- High precision coated filter with 0.3 micron filtering accuracy;
- With large capacity of 100L, the self-discharging separating barrel is more convenient.
- Plus cyclone separator;
- The separation efficiency was 97%.
- The full-automatic pulse back cleaning device is used in the high pressure area.
- The tank is equipped with overload, overcurrent, device and remote start system;



手摇拨片除尘(SYBP)
Hand picking dust removal (SYBP)



自动脉冲反吹除尘(MCFC)
Automatic pulse back blow dusting (MCFC)



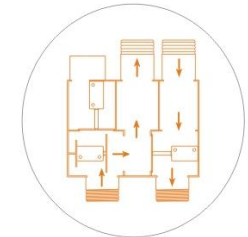
手压反吹除尘(SDFC)
Hand pressure reverse blowing dust removal (SDFC)



旋风分离除尘+超声波震动除尘(ZDCX)
Cyclone separation dust removal + ultrasonic vibration dedusting (ZDCX)



星形布袋除尘(BDCX)
Star bag dust removal (BDCX)



风泵自反吹装置除尘(ZFC)
Air pump self blowing device dust removal (ZFC)

技术参数 / Technical parameters

型号 Model	尘桶容量 Volume (L)	电压 Voltage (V)	功率 Power (KW)	吸力 Max. Vacuum (kpa)	风量 Airflow (m ³ /h)	噪音 Noise (dB)	重量 Weight (kg)	过滤面积 Filter area (m ²)	吸尘口径 Suction caliber (mm)	尺寸 Dimensions L×W×H(mm)
DL750-30	30	220/380-480	0.75	12	145	64		2.0	φ40	820×350×700
DL1100-30	30	220/380-480	1.1	17	210	69		2.0	φ40	820×350×700
DL1500	30/80	220/380-480	1.5	18	320	69		3.0	φ40	820×350×700
DL2200	80	220/380-480	2.2	21	320	69		3.0	φ40	1020×460×980
DL3000	80	380-480	3.0	27	420	69		3.0	φ40	1020×460×980
DL4000	80	380-480	4.0	29	420	69		3.0	φ40	1020×460×980

GYJC high pressure cabinet vacuum cleaner

GYJC 高压柜式吸尘器



服务热线: 400-600-6180



使用场所

小型工厂车间、吸铁屑、打磨粉尘、冶金、煤矿、小型激光打标机及设备配套等



技术参数 / Technical parameters

型号 Model	尘桶容量 Volume (L)	电压 Voltage (V)	功率 Power (KW)	吸力 Max. Vacuum (kpa)	风量 Airflow (m ³ /h)	噪音 Noise (dB)	重量 Weight (kg)	过滤面积 Filter area (m ²)	吸尘口径 Suction caliber (mm)	尺寸 Dimensions L×W×H(mm)
GYJC1500	30	220/380-480	1.5	18	320	69		3.0	φ50	500×530×1055
GYJC2200	30	220/380-480	2.2	21	320	69		3.0	φ50	500×530×1055
GYJC3000	30	380-480	3.0	27	420	69		3.0	φ50	500×530×1055
GYJC4000	30	380-480	4.0	29	420	69		3.0	φ50	500×530×1055

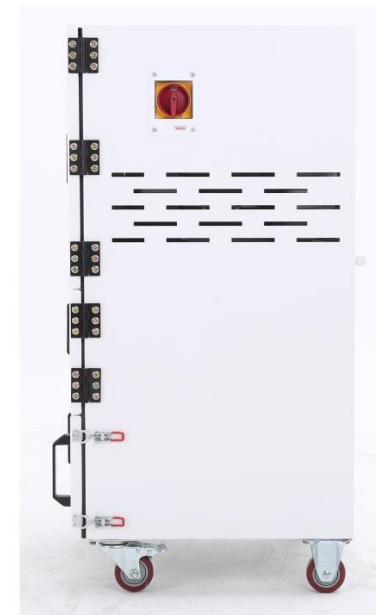
产品简介 / Product introduction

GYJC系列是一种工业移动柜式吸尘器，功率从1.5~4.0kw，广泛使用于小型工厂车间、吸铁屑、打磨粉尘、冶金、煤矿、小型激光打标机及设备配套等。

GYJC series is a kind of industrial mobile cabinet vacuum cleaner with power ranging from 1.5 kW to 4.0 kW. It is widely used in small factory workshops, iron chips, grinding dust, metallurgy, coal mines, small laser marking machines and equipment matching.

性能特点 / Performance characteristics

- ◆ 采用工业级旋涡气泵，欧标电机50HZ 60HZ 双频设计；
- ◆ 配有超大轮子，便于机身移动；
- ◆ 可以连续24小时工作；
- ◆ 高精度覆膜过滤器或布袋除尘；
- ◆ 30L大容量，抽屉式储存；
- ◆ 带有大功率主电源开关；
- ◆ Adopt industrial grade vortex air pump, Euro standard motor: 50HZ 60HZ dual frequency design;
- ◆ Equipped with super large wheels to facilitate the movement of the fuselage;
- ◆ You can work 24 hours in a row;
- ◆ High precision membrane filter or cloth bag dust removal;
- ◆ 30L large capacity, drawer type storage;
- ◆ With high-power main power switch.



YC dust purifier YC 烟尘净化器



服务热线: 400-600-6180

使用场所

焊接、切割、打磨等工艺设计的高效净化器



产品简介 / Product introduction

YC系列烟尘净化器,是一款专门针对焊接、切割、打磨等工艺设计的高效净化器,该系列净化器采用机械式过滤方式,并配置活性炭过滤层,对于颗粒细微的锡焊烟尘也有非常高的过滤效果,它净化效率高,轻巧灵活,并可配备不同长度的方向吸气臂,对于微米级的旱烟过滤效率可达到99.9%,可极大的提高生产品质和改善工作环境。

YC Series Dust Purifier is a highly efficient purifier designed for welding, cutting, grinding and other processes. This series of purifiers adopts mechanical filtering method and is equipped with activated carbon filter layer. It also has very high filtering effect for fine solder welding dust. It has high purification efficiency, light and flexible, and can be equipped with. With different lengths of universal suction arms, the filtration efficiency of dry smoke in micron level can reach 99.9%, which can greatly improve the production quality and improve the working environment.

性能特点 / Performance characteristics

- 轻巧灵活, 操作方便
- 配有拉动伸缩自如可360度悬停的柔性吸气臂
- 采用PTEE覆膜高级滤桶式滤芯, 过滤效果高, 可达99.9%
- 可以加装活性炭过滤器, 方便清除 异味
- 可采用手动方式/自动脉冲反吹方式 清理过滤尘隔
- 机身内有防火星飞溅装置

- Light and flexible, easy to operate.
- A flexible suction arm with 360 degrees of hovering for pulling freely and freely.
- Adopt PTEE membrane coated advanced filter barrel core, and the filtration effect is high, up to 99.9%.
- You can add activated carbon filter to remove odor easily.
- It can be cleaned by manual / automatic pulse reverse blowing.
- There are fireproof splash devices in the fuselage.

技术参数 / Technical parameters

型号 Model	电压 Voltage (V)	风量 Airflow (m ³ /h)	过滤材料	滤桶数量	过滤精度 (um)	控制部分	总过滤面积 (m ²)	噪音 dB (A)	清灰方式	外型尺寸	风机功率 (KW)	风机负压 (Pa)	噪音 Noise (dB)	尺寸 Dimensions LxWxH(mm)	功率 Power (KW)	吸力 Max. Vacuum (kpa)
YC-22	380V	3000	聚酯纤维覆膜	1	0.1	施耐德电气	>10	>75±5	自动反吹	700*700*1600	2.2	2100				DL750-30
	50HZ	也可选配							全方位清灰	不含吸气臂	全风实业	中压风机				DL1100-30
																DL1500
																DL2200
YC-30	380V	4000/可选配	聚酯纤维覆膜	1	0.2	施耐德电气	>12	>78±5	自动反吹	700*700*1600	3	2500				DL3000
	50HZ	也可选配							全方位清灰	不含吸气臂	全风实业	中压风机				DL4000

ZYJC central dust cleaning / dust centring dust collection

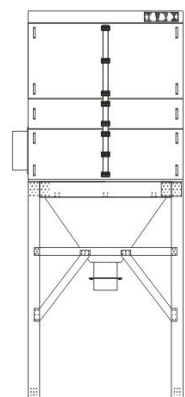
ZYJC 中央烟尘净化/粉尘中央集尘



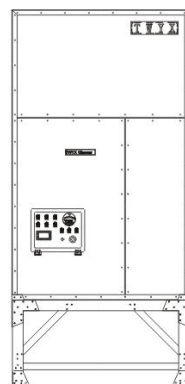
服务热线: 400-600-6180

使用场所

专注于净化受焊接、切割、打磨等烟尘污染的工作环境及机械加工粉尘处理



ZYJC-3000



ZYJC-5500/ZYJC-15000

产品简介 / Product introduction

数控等离子激光切割机在运行过程中会产生大量的烟尘，严重污染环境，损害操作员工的身体健康，因此，必须采取局部通风及治理措施，将烟尘、粉尘等予以净化处理，使生产环境达到国家有关标准。我公司生产的ZYJC系列切割烟尘净化器，集国内外先进技术，除尘效果好，性价比高。

CNC plasma laser cutting machine will produce a lot of smoke and dust in the course of operation, seriously polluting the environment, harming the health of the operators. Therefore, local ventilation and control measures must be taken to purify the smoke and dust, so that the production environment can meet the relevant national standards. The ZYJC series cutting dust purifier produced by our company collects advanced technology at home and abroad. It has good dust removal effect and high cost performance.

技术参数 / Technical parameters

型号	ZYJC-5500	ZYJC-7500	ZYJC-11000	ZYJC-15000	ZYJC-30000
电源(V/Hz)	380/50	380/50	380/50	380/50	380/50
功率(Kw)	5.5	7.5	11	15	30(双机组)
处理风量(m³/h)	3900	4000	4800	6000	12000
风压(Pa)	3800	3900	5000	5000	5000
过滤筒数量(个)	12	12	12	12	15
过滤面积(m²)	120	120	120	120	150
过滤精度(µm)	0.3-1	0.3-1	0.3-1	0.3-1	0.3-1
过滤效率	99%	99%	99%	99%	99%
过滤材质	聚酯纤维 PTFE 覆膜	聚酯纤维 PTFE 覆膜	聚酯纤维 PTFE 覆膜	聚酯纤维 PTFE 覆膜	聚酯纤维 PTFE 覆膜
压缩空气压力(Mpa)	0.4-0.6	0.4-0.6	0.4-0.6	0.4-0.6	0.4-0.6
压缩空气气缸(L/个)	10	10	10	10	15
集成箱容量(L)	300	300	300	300	500
噪音等级(dB)	90	90	90	90	95
过滤方式	负压外滤式	负压外滤式	负压外滤式	负压外滤式	负压外滤式
清灰方式	脉冲反吹+可移动式集尘	脉冲反吹+可移动式集尘	脉冲反吹+可移动式集尘	脉冲反吹+可移动式集尘	脉冲反吹+布袋集尘
进风口口径(mm)	φ150-300	φ150-300	φ150-300	φ150-300	φ200-600
排风口口径(mm)	φ200	φ200	φ200	φ200	φ600
外形尺寸(mm)	1660×1510×3500	1660×1510×3500	1660×1510×3500	1660×1510×3500	2000×1250×3800
机器外观喷漆	碳钢喷塑涂装 工业灰+绿青				

性能特点 / Performance characteristics

- ◆ 平台有效切割宽度较大
- ◆ 粉尘清理方便
- ◆ Effective cutting width larger platform
- ◆ Easy to clean dust.
- ◆ 烟尘、粉尘捕捉率高
- ◆ 一边吹一边吸效果更佳
- ◆ Soot, dust capture rate
- ◆ While blowing suction side better

Application case 应用案例



服务热线: 400-600-6180

